

# CELLA

## BV122S BLACK



Appliance Designation	Beverage Cooler
GTIN	5061068710077
EEL Class	C
Rated EEL	158.86
Noise Level dB(A)	43
Noise Class	D
Rated annual energy consumption	365 (kWh/annum)
Climate Class	0, 1, 2, 3, 4, 5, 6, 7, 8
Compressor	Embraco Inverter Compressor
Refrigerant	R600a
Fan Assisted Cooling	Yes
Ventilation Required	Plinth Ventilation
Temperature Range	1-18°C
Zone Type	Single Zone
Defrosting Type	Manual
Installation	Freestanding / Built-in
Door	Black glass door / 2 layer Low-E glass
Door Handle	Recessed handle
Door Open Direction	From left side
Reversible Door	Yes
Door-Open Alarm Function	Yes
Lock	Yes
Capacity (L)	336
Standard Storage Quantity	315 Cans (330ml)
Shelves	7pcs glass shelves
Shelf Type	Sliding only
Light	Warm White LED - 4000K
Auto. Lighting Function	Included
Control	LCD Touch Control
Control Display Colour	White
Charcoal Filter	Included
Carbon Filter	Yes - replace every 12 months
Heating Ability	Not Required
Internal Humidity	50-90%
Vibration Free	Yes
Power Lead Length	1.5m
Adjustable Feet	Yes - 25mm
Warranty	3 Years Parts & Labour

**Body Dimension / Weight**  
W595 x D570 x H1790mm  
91(kg)

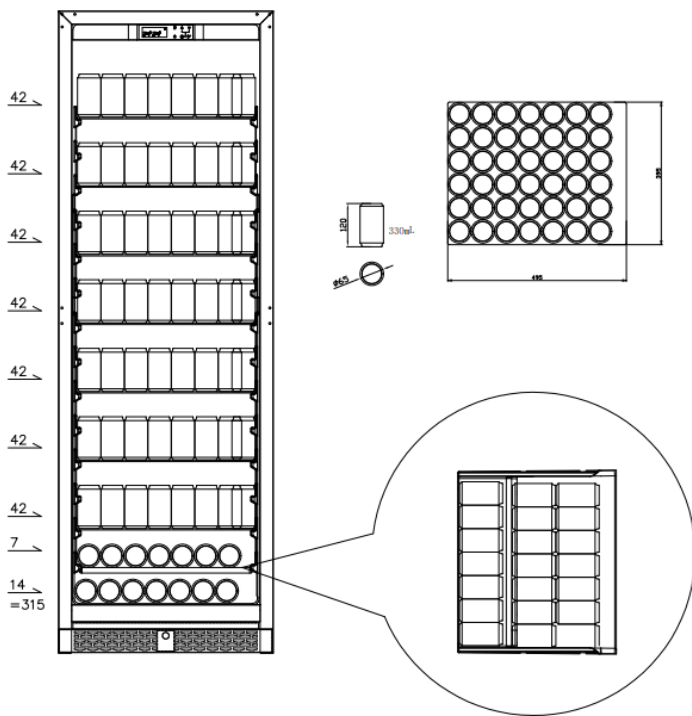
**Packing Dimension / Weight**  
W740 x D715 x H1995mm  
112(kg)



**Minimum ambient temperature  
for which the refrigerating  
appliance is suitable is 10°C**

**Maximum ambient temperature  
for which the refrigerating  
appliance is suitable is 25°C**

## Bottle Loading



## Energy Label



**145 kWh/annum**

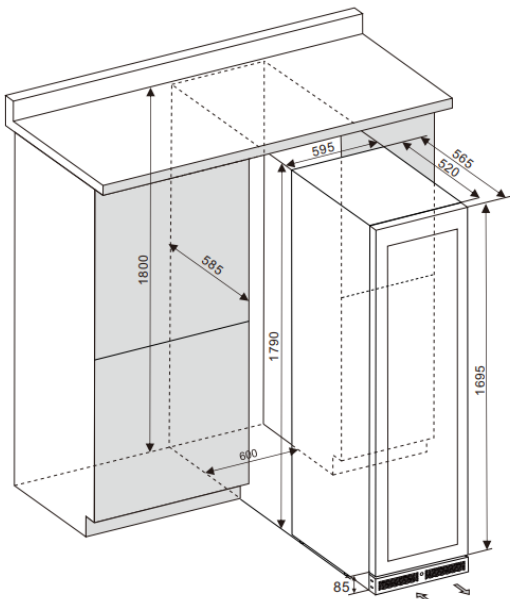


9102/05/02

## Installation Diagrams

Front View

Side View



Top View

